

Inspired Urban Spaces

StraBe's Lemo range is designed to elevate urban streetscapes, with a modern selection the Lemo is ergonomic, durable and distinctive.

Dimensions

L 1800 x H 790 x W 540 mm

Mounting/Fixing Info

Surface Mounted

Materials / Frame Options



Mild Steel with Powder Coated Finish



Stainless Steel

Surfaces/Finishes

Powder Coat finish Available

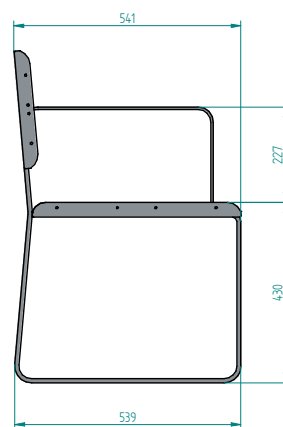
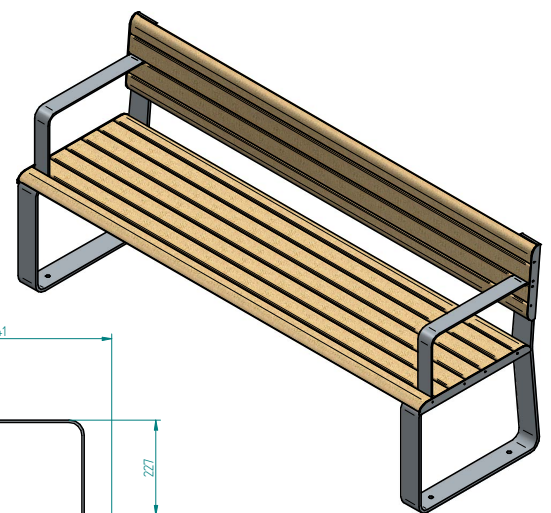
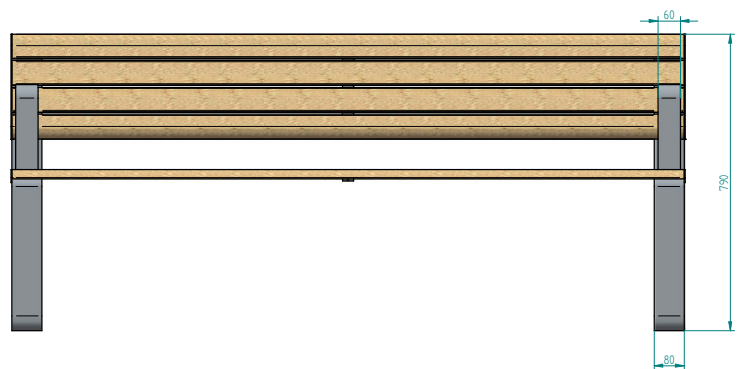
Batten Options



Spotted Gum Timber



Timballoy



How to Specify:	
Product Suite:	Lemo
Product Type:	Seat
Product Code:	SEAT223
Frame Type:	Select from above
Armrests:	Yes / No
Powder Coat Colour:	https://strabe.com.au/product/standard-powdercoat-colour-range/
Batten Type:	Select from above
Customisation Notes:	
URL:	https://strabe.com.au/product/lemo-seat/

